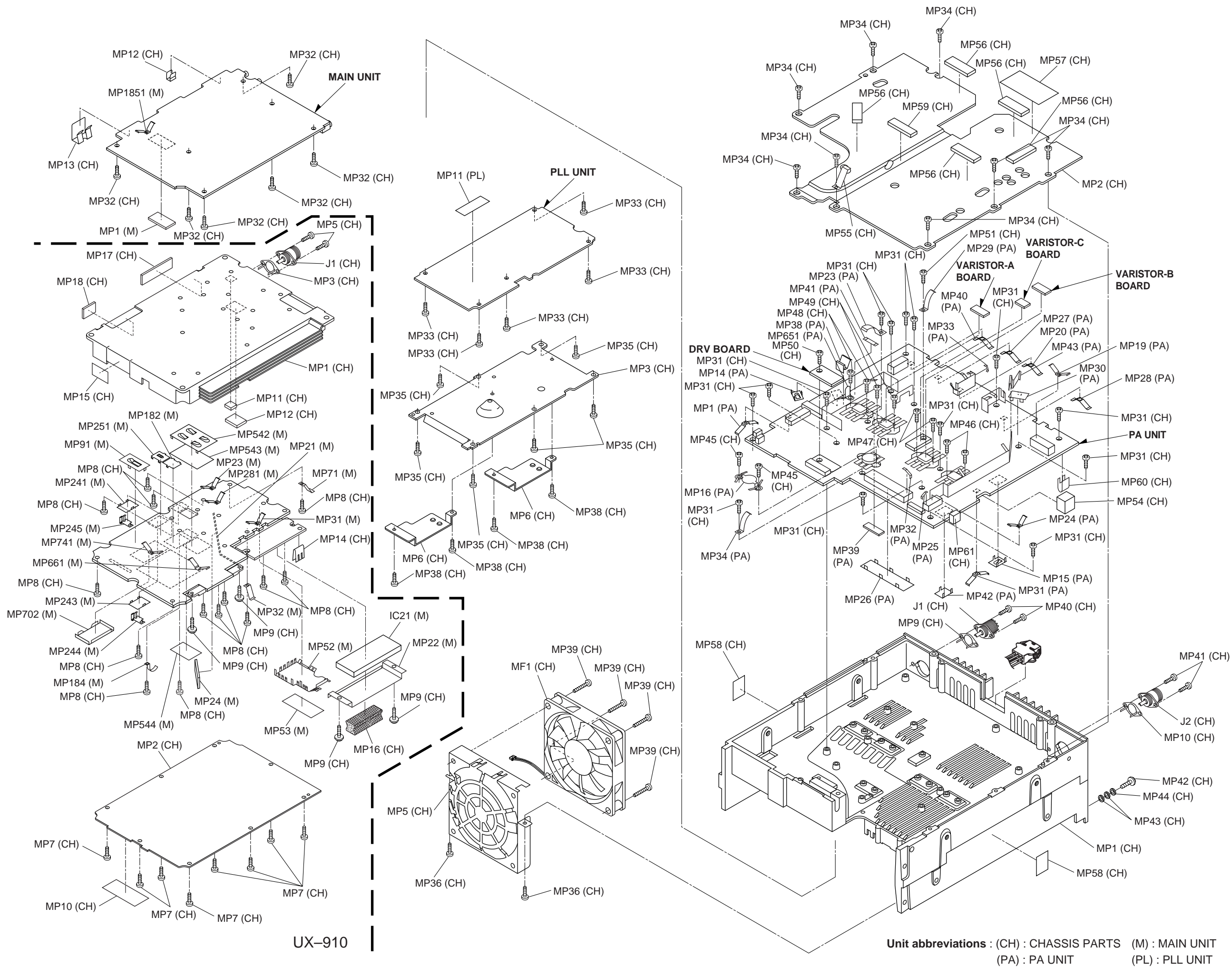
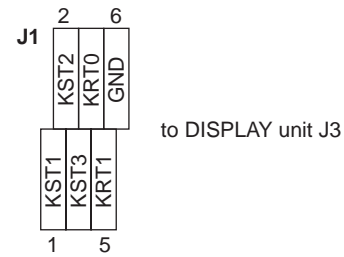
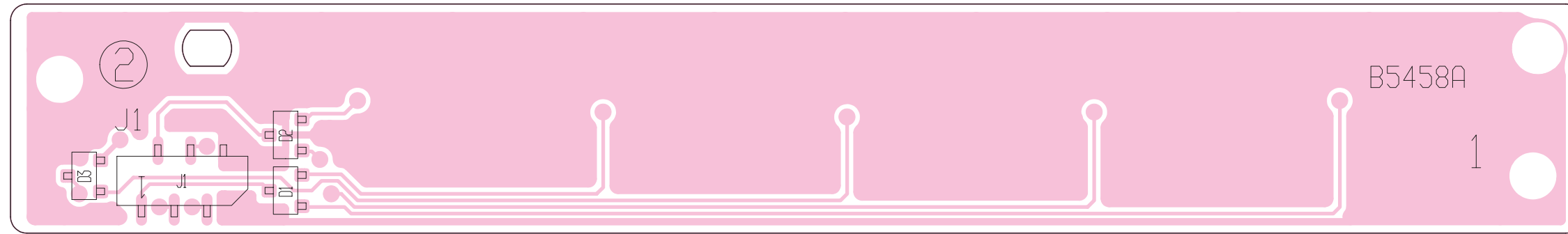


Unit abbreviations : (C) : COVER PARTS (F) : FRONT UNIT (D) : DISPLAY UNIT
 (CH) : CHASSIS PARTS (J) : JACK BOARD (VA) : VR-A BOARD
 (VB) : VR-B BOARD (MIC) : MIC BOARD (R) : RIT BOARD



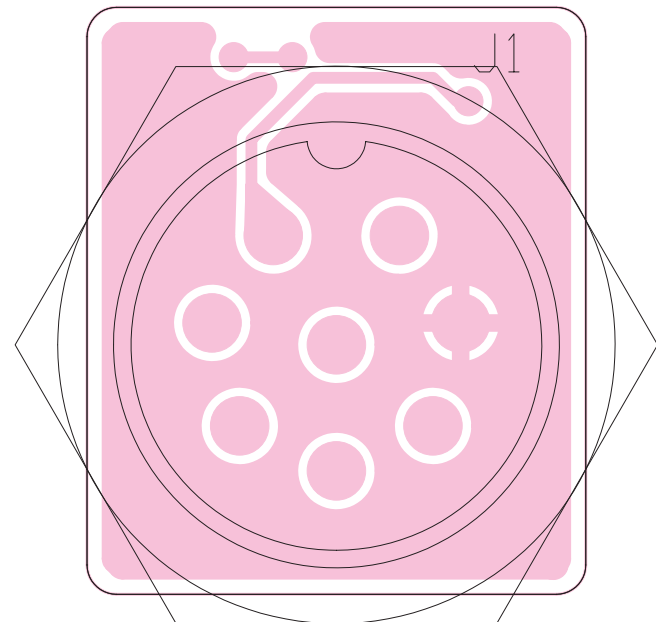
9-4 FUNC BOARD

• TOP VIEW



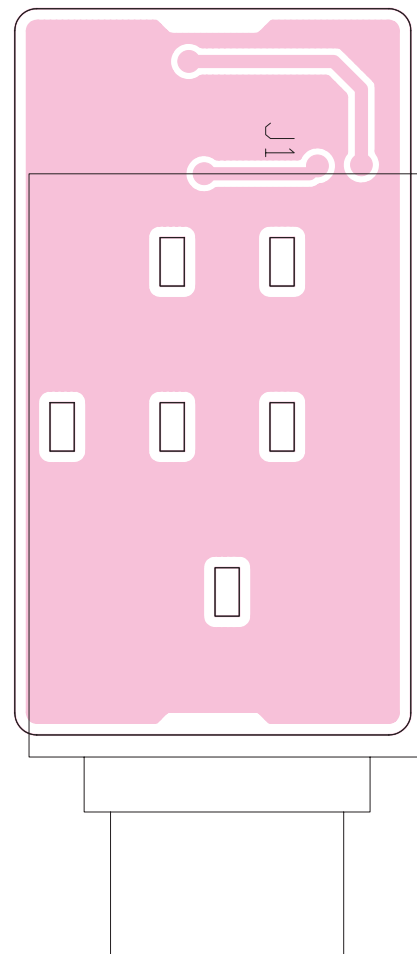
9-5 MIC BOARD

• TOP VIEW



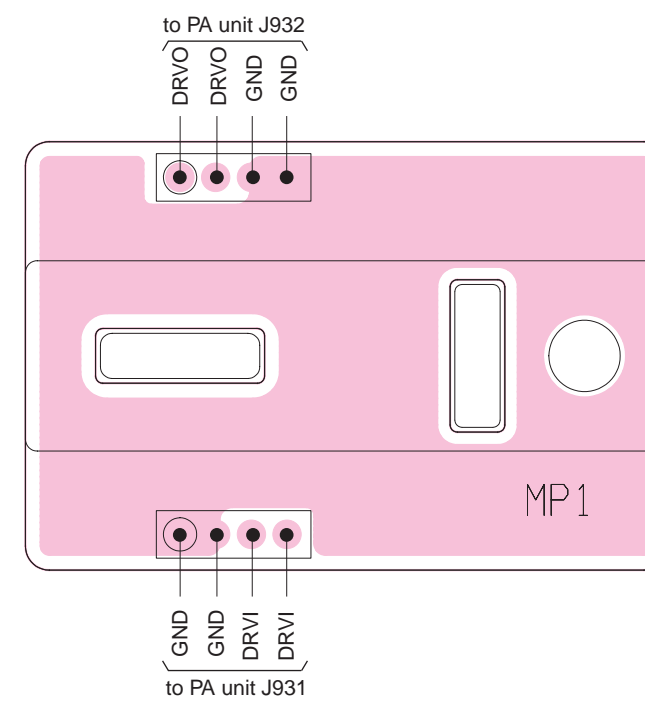
9-6 JACK BOARD

• TOP VIEW



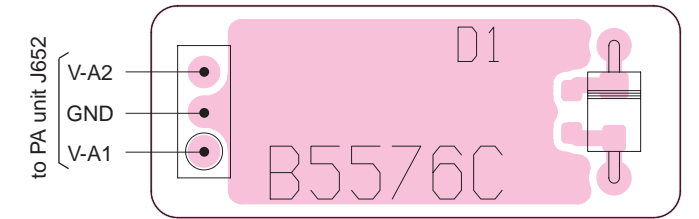
9-7 DRV BOARD

• TOP VIEW



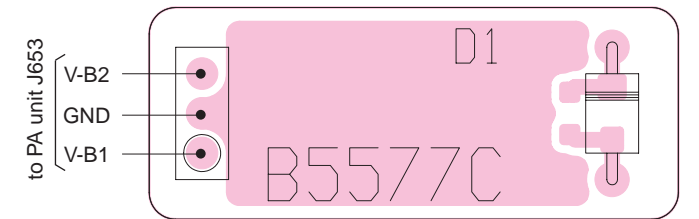
9-8 VARISTOR-A BOARD

• TOP VIEW



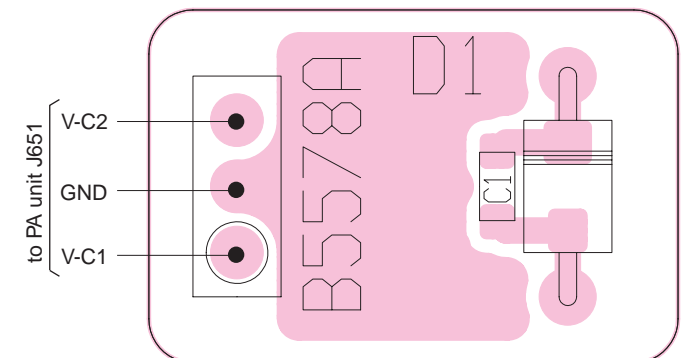
9-9 VARISTOR-B BOARD

• TOP VIEW



9-10 VARISTOR-C BOARD

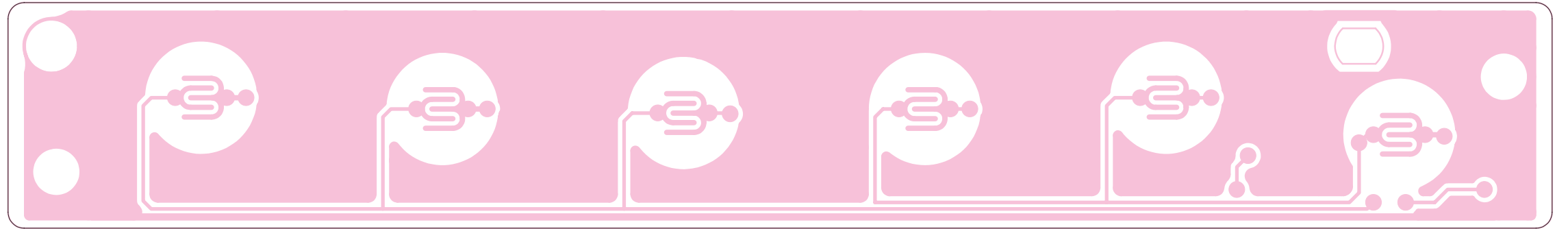
• TOP VIEW



• BOTTOM VIEW (VARISTOR-A BOARD)



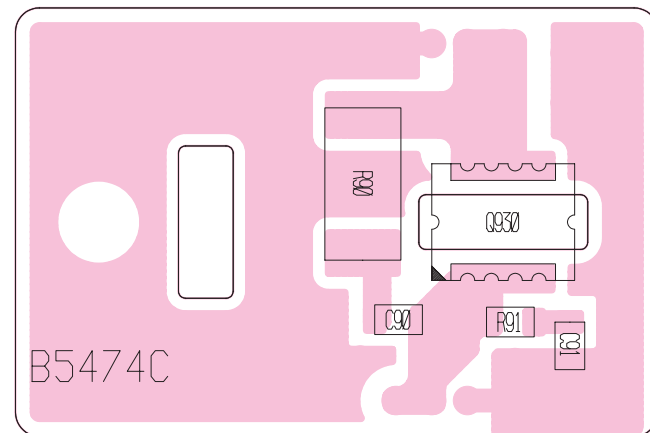
• BOTTOM VIEW (FUNC BOARD)



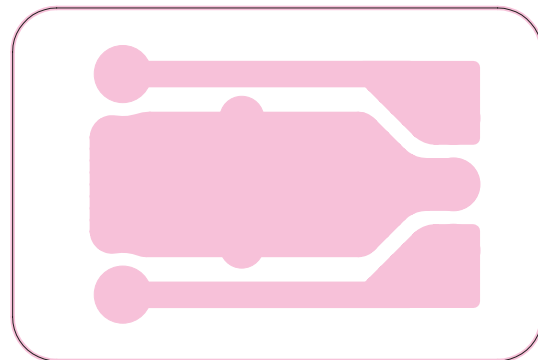
• BOTTOM VIEW (VARISTOR-B BOARD)



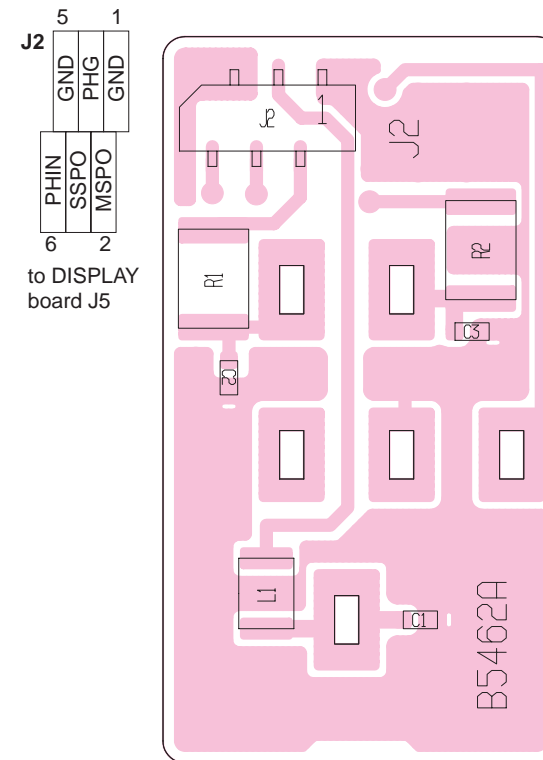
• BOTTOM VIEW (DRV BOARD)



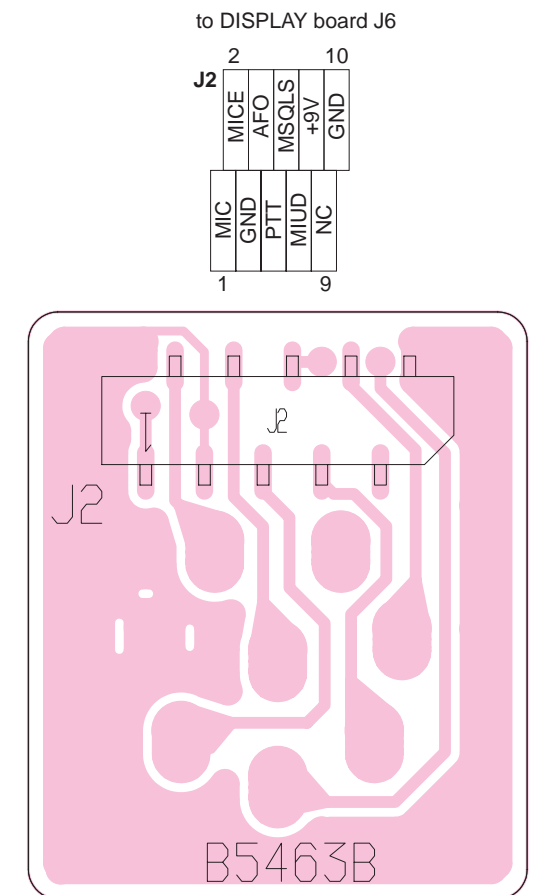
• BOTTOM VIEW (VARISTOR-C BOARD)



• BOTTOM VIEW (JACK BOARD)

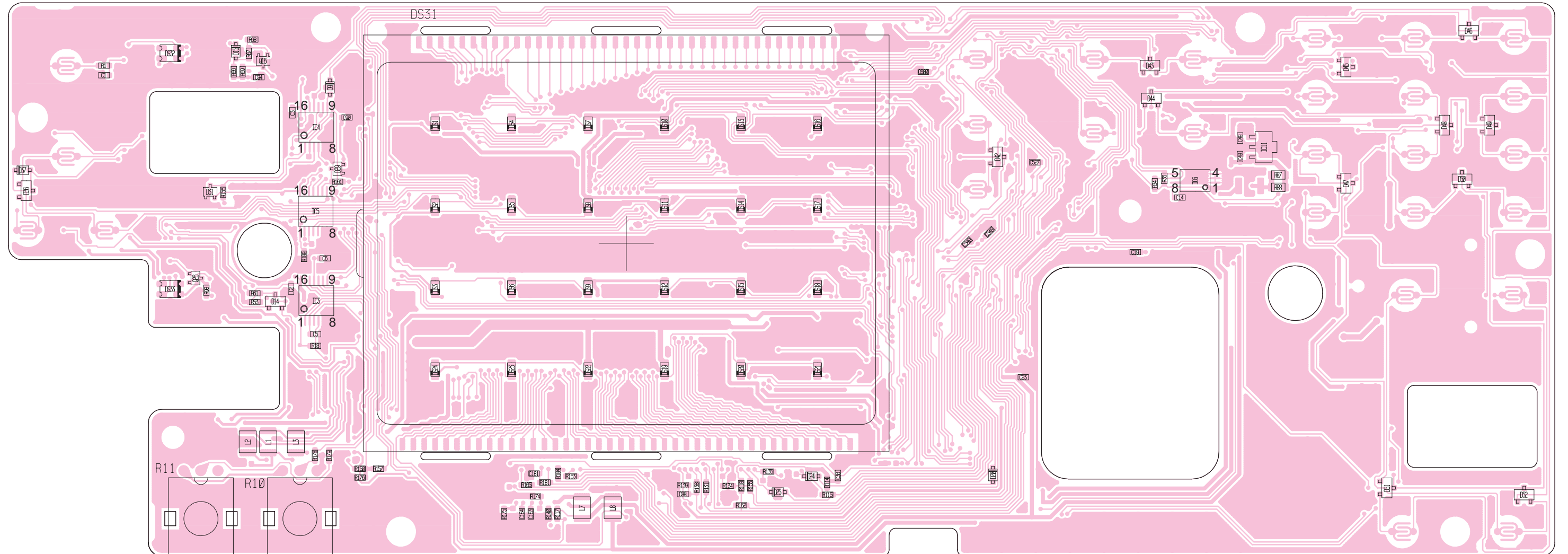


• BOTTOM VIEW (MIC BOARD)



9-11 DISPLAY BOARD

• TOP VIEW



• BOTTOM VIEW (DISPLAY BOARD)

to FUNC board J1

J3	
5	1
KST2	KRT0
KST3	KRT1
6	2

to PLL unit J1

J9	
19	1
PCK	14DT
PDAT	PST4
43DT	14UL
14UL	43UL
GND	GND
NC	NC
NC	BFST
14V	14V
+9V	NC
-5V	NC
20	2

to JACK board J2

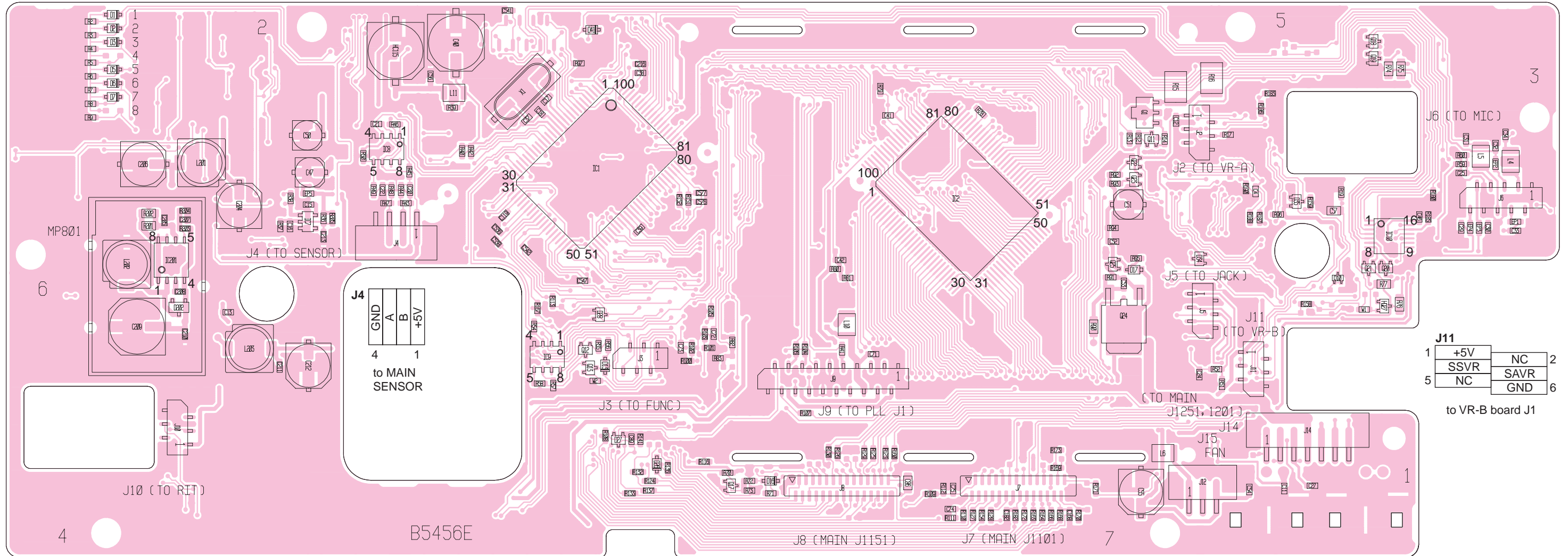
J5			
1	PHIN	GND	2
	SSPO	PHG	
5	MSPO	GND	6

to VR-A board J1

J2			
1	+5V	NC	2
	MSVR	MAVR	
5	NC	GND	6

to MIC board J2

J6	
9	1
MICE	AFO
GND	MSQLS
PTT	MIUD
10	+9V
	NC
	2



J4	
4	1
GND	A
	B
	+5V

to MAIN SENSOR

J11			
1	+5V	NC	2
	SSVR	SAVR	
5	NC	GND	6

to VR-B board J1

J10			
6	GND	NC	5
	RIVR	SFVR	
2	NC	+5V	1

to RIT board J1

J8		
1	GND	29
	CIVE	
	PTT1	
	MIUD	
	SEND	
	DASH	
	SBSY	
	KDS	
	AGRM	
	SQLM	
	SMLM	
	CTCM	
	BEEP	
	CENS	
	AGRS	
	SQLS	
	SMLS	
	MSC	
	OVDV	
	TONC	
	GND	
2		30

to MAIN unit J1151

J7		
1	GND	29
	INTM	
	RXS	
	MCK	
	NC	
	ETON	
	VOXL	
	NC	
	PDAT	
	FORL	
	12PS	
	12DS	
	12UL	
	14PV	
	POWS	
	12PV	
	GND	
2		30

to MAIN unit J1101

J12		
1	GND	3
	NC	
	FANV	

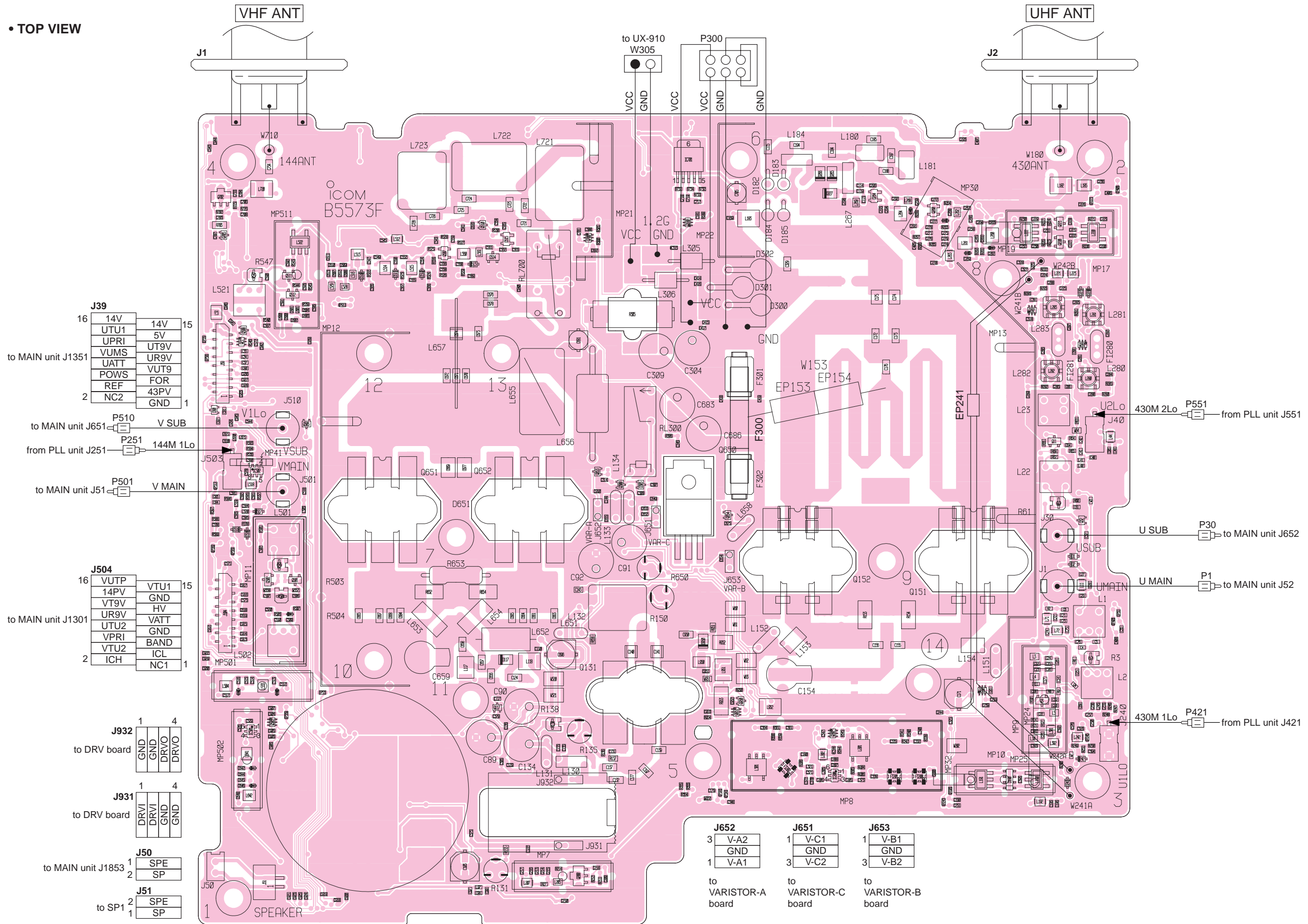
to FAN

J14		
1	MSPO	7
	SSPO	
	PHG	
	14V	
	HV	
	MIC	
	MICE	

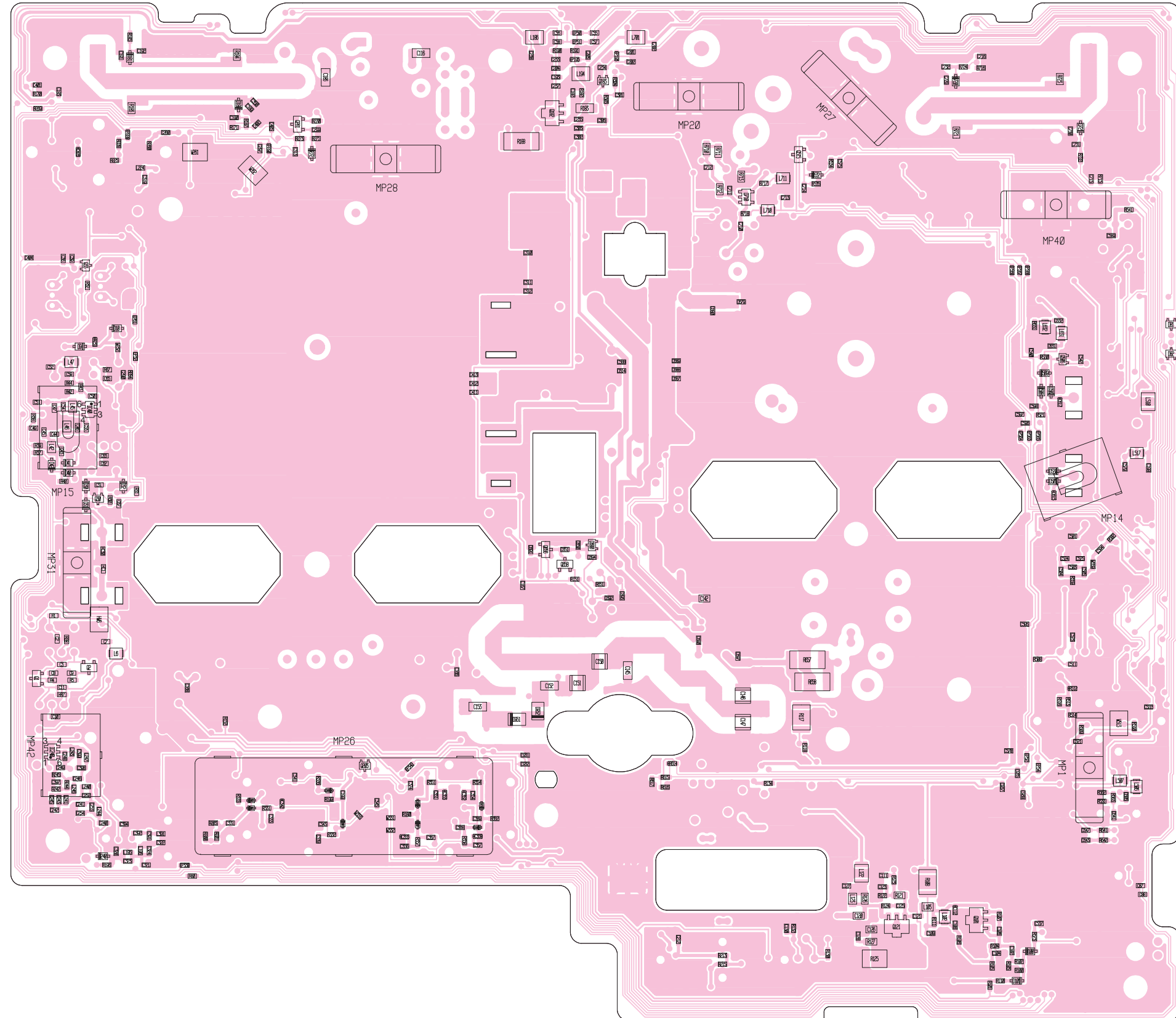
to MAIN unit J1251, J1201

9-12 PA UNIT

• TOP VIEW

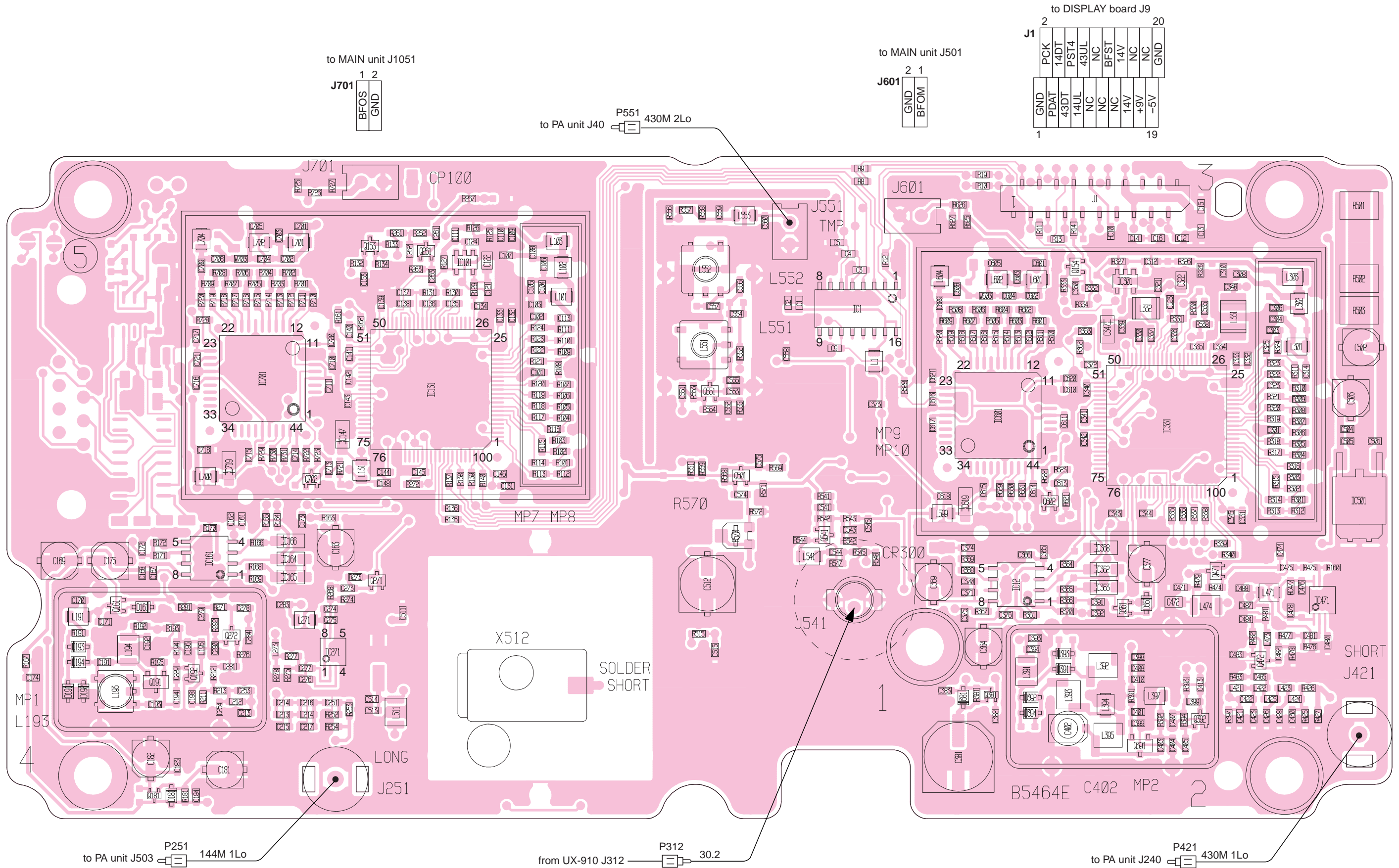


• BOTTOM VIEW (PA UNIT)

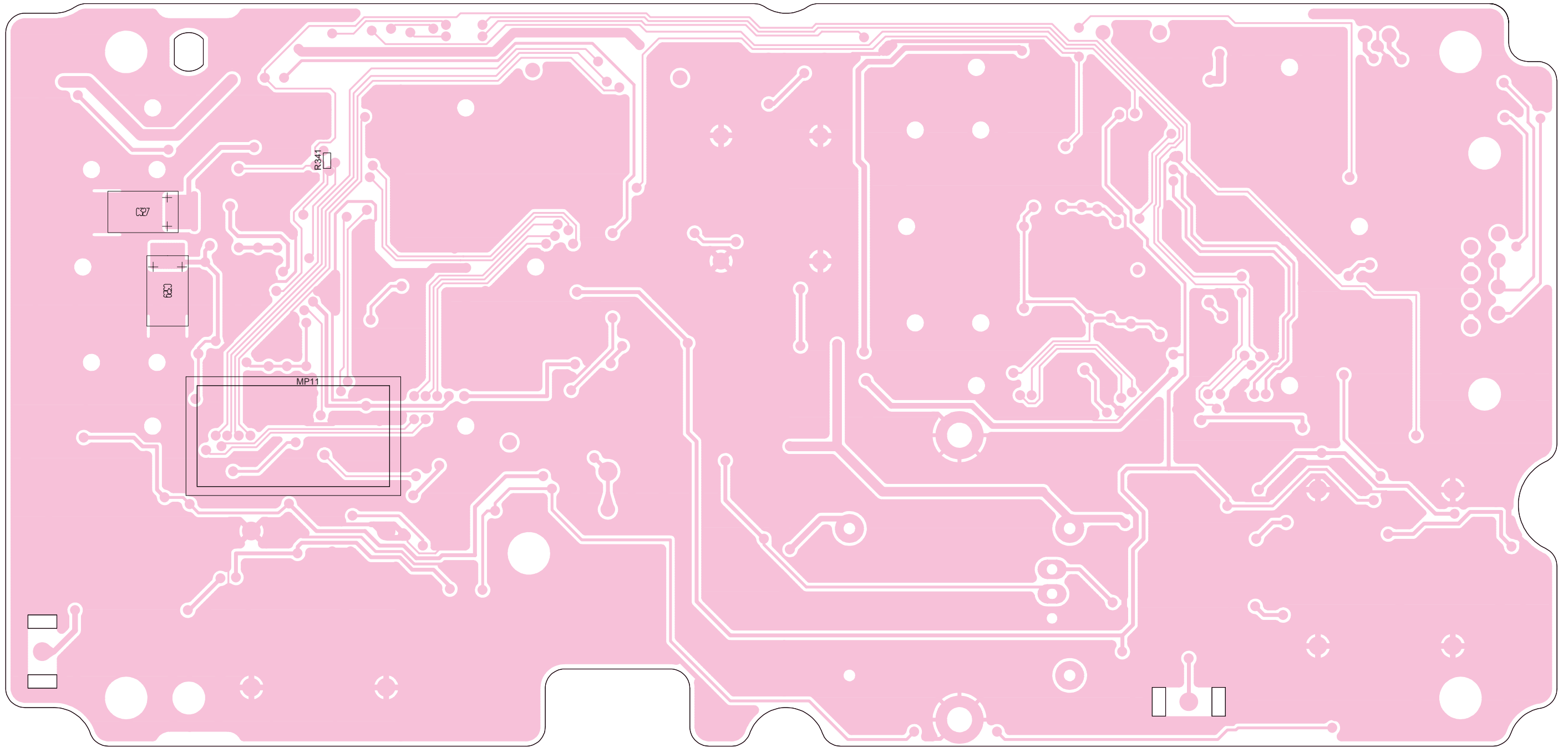


9-13 PLL UNIT

• TOP VIEW

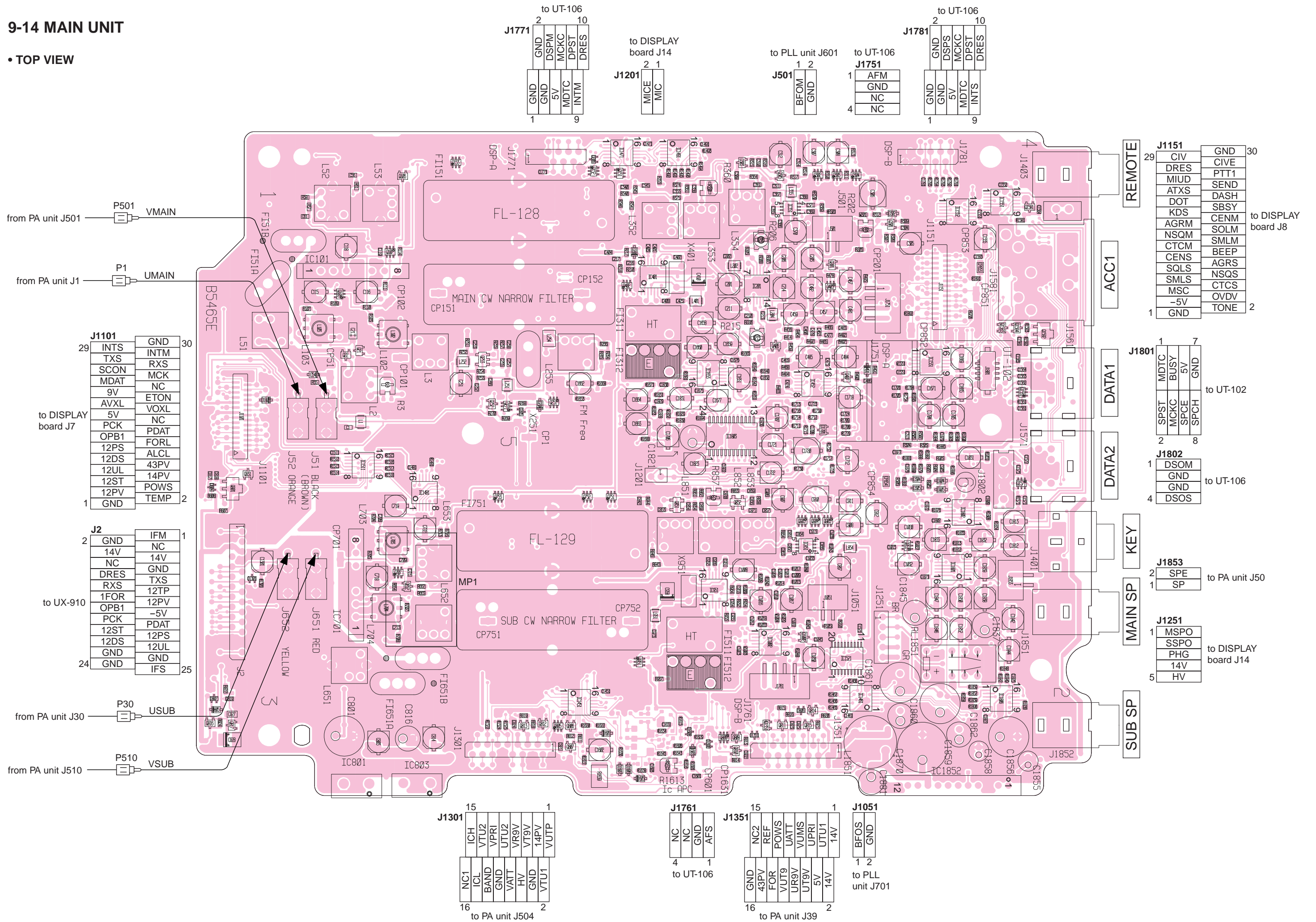


• BOTTOM VIEW (PLL UNIT)



9-14 MAIN UNIT

• TOP VIEW



to UT-106

2	GND	10
1	DSPM	9
1	MCKC	8
1	DPST	7
1	DRES	6
1	INTM	5
1	GND	4

to DISPLAY board J14

2	MICE	1
1	MIC	2

to PLL unit J601

1	BFOM	2
1	GND	1

to UT-106

1	AFM	4
1	GND	3
1	NC	2
1	NC	1

to UT-106

2	GND	10
1	DSPS	9
1	MCKC	8
1	DPST	7
1	DRES	6
1	INTS	5
1	GND	4

REMOTE

29	CIV	GND	30
1	DRES	CIVE	29
1	MIUD	PTT1	28
1	ATXS	SEND	27
1	DOT	DASH	26
1	KGRM	SBSY	25
1	AGRM	CENM	24
1	NSQM	SOLM	23
1	CTCM	SMLM	22
1	CENS	BEEP	21
1	SQLS	AGRS	20
1	SMLS	NSQS	19
1	MSC	CTCS	18
1	-5V	OVDV	17
1	GND	TONE	16

to DISPLAY board J8

DATA1

1	MDTC	7
1	BUSY	6
1	5V	5
1	GND	4

to UT-102

DATA2

2	SPST	8
1	MCKC	7
1	SPCE	6
1	SPCH	5

KEY

1	DSOM	7
1	GND	6
1	GND	5
1	DSOS	4

to UT-106

MAIN SP

2	SPE	7
1	SP	6

to PA unit J50

SUB SP

1	MSPO	7
1	SSPO	6
1	PHG	5
1	14V	4
1	HV	3

to DISPLAY board J14

J1301

15	ICH	1
1	VTU2	2
1	VTU1	3
1	VR9V	4
1	VT9V	5
1	VT9V	6
1	VT9V	7
1	VT9V	8
1	VT9V	9
1	VT9V	10
1	VT9V	11
1	VT9V	12
1	VT9V	13
1	VT9V	14
1	VT9V	15
1	VT9V	16

to PA unit J504

J1761

15	AFS	1
1	GND	2
1	NC	3
1	NC	4

to UT-106

J1351

15	UTU1	1
1	UTU1	2
1	UTU1	3
1	UTU1	4
1	UTU1	5
1	UTU1	6
1	UTU1	7
1	UTU1	8
1	UTU1	9
1	UTU1	10
1	UTU1	11
1	UTU1	12
1	UTU1	13
1	UTU1	14
1	UTU1	15
1	UTU1	16

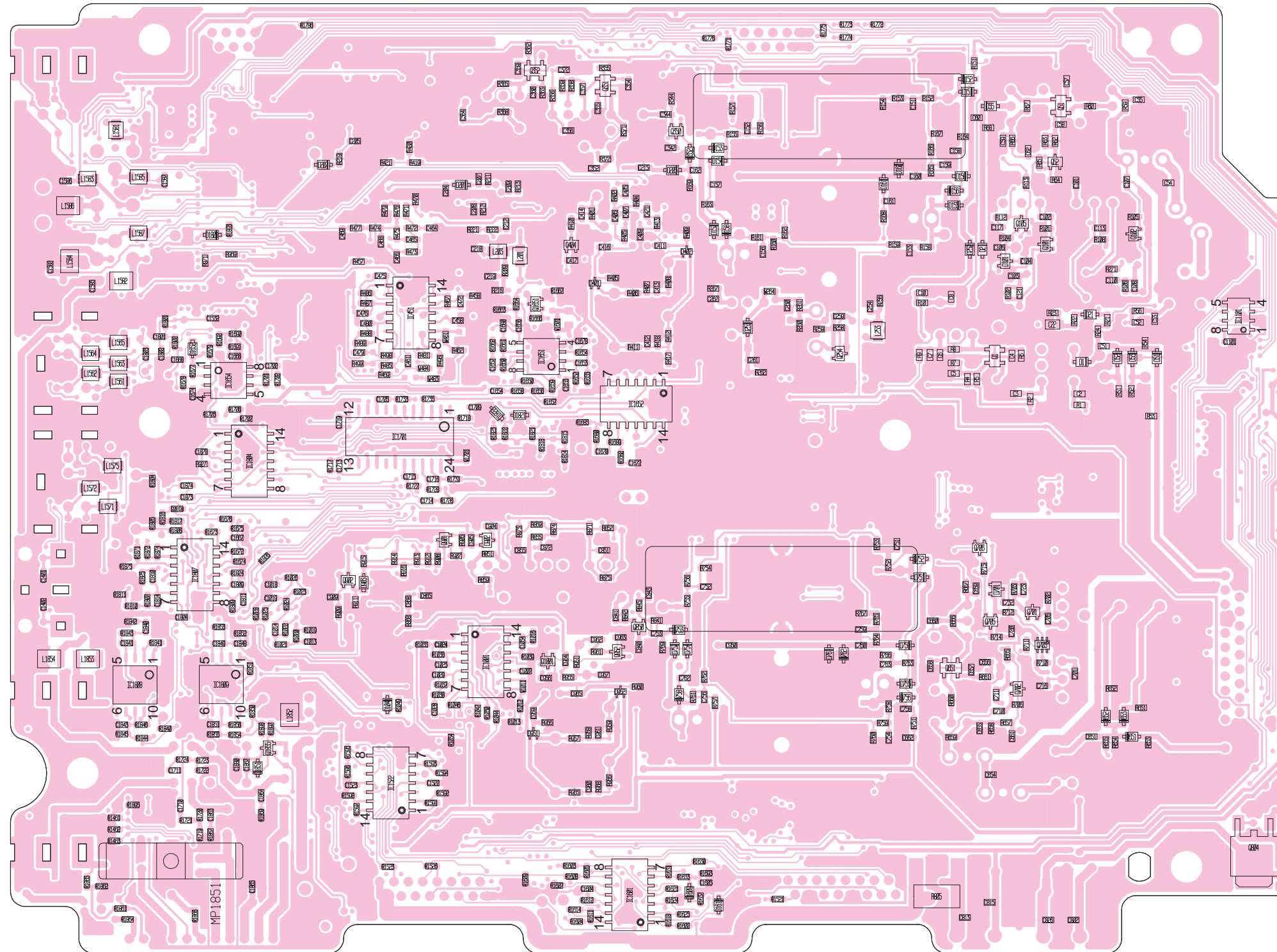
to PA unit J39

J1051

1	BFOS	1
1	GND	2
1	NC	3
1	NC	4

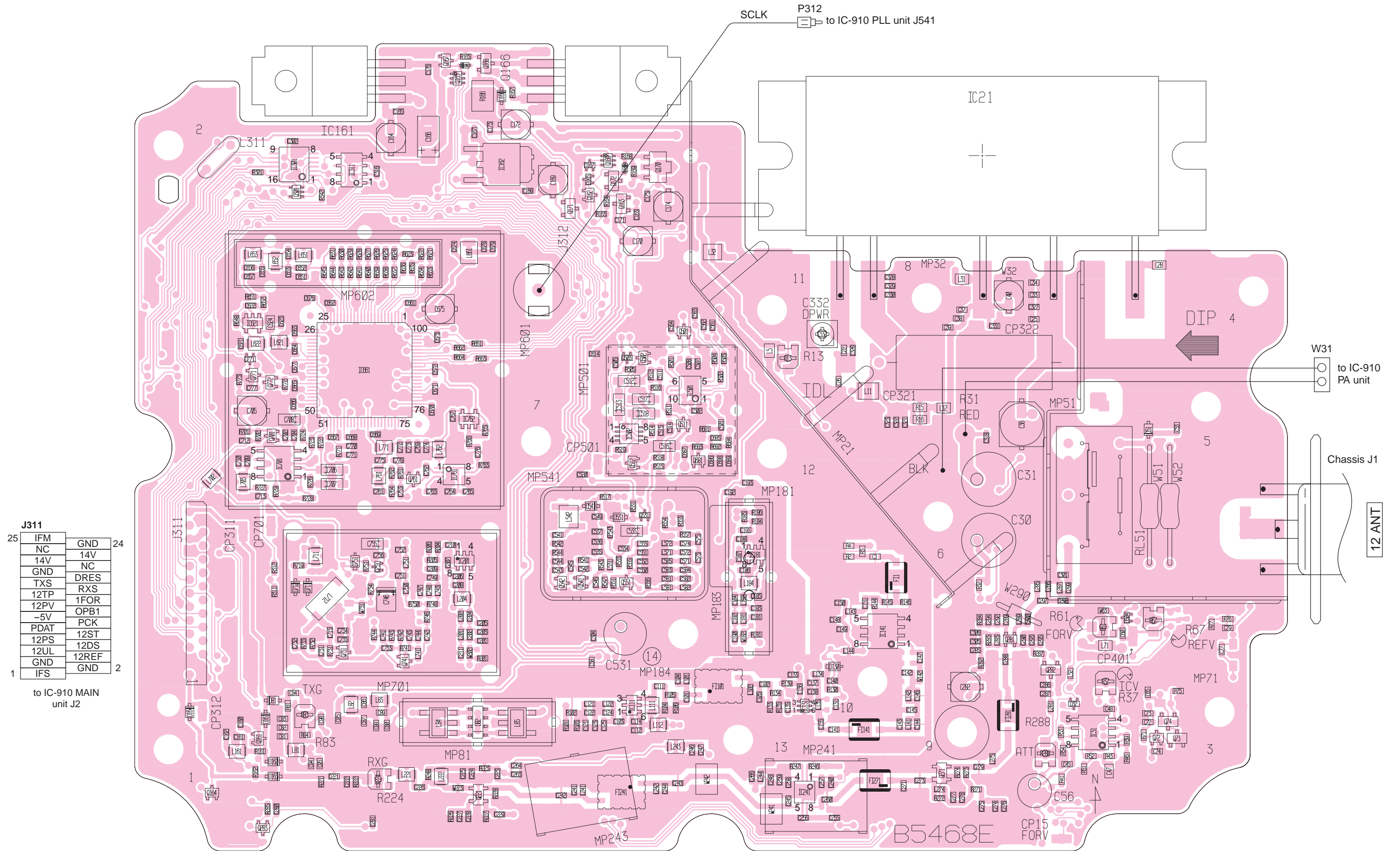
to PLL unit J701

• BOTTOM VIEW (MAIN UNIT)



9-15 UX-910 MAIN UNIT

• TOP VIEW

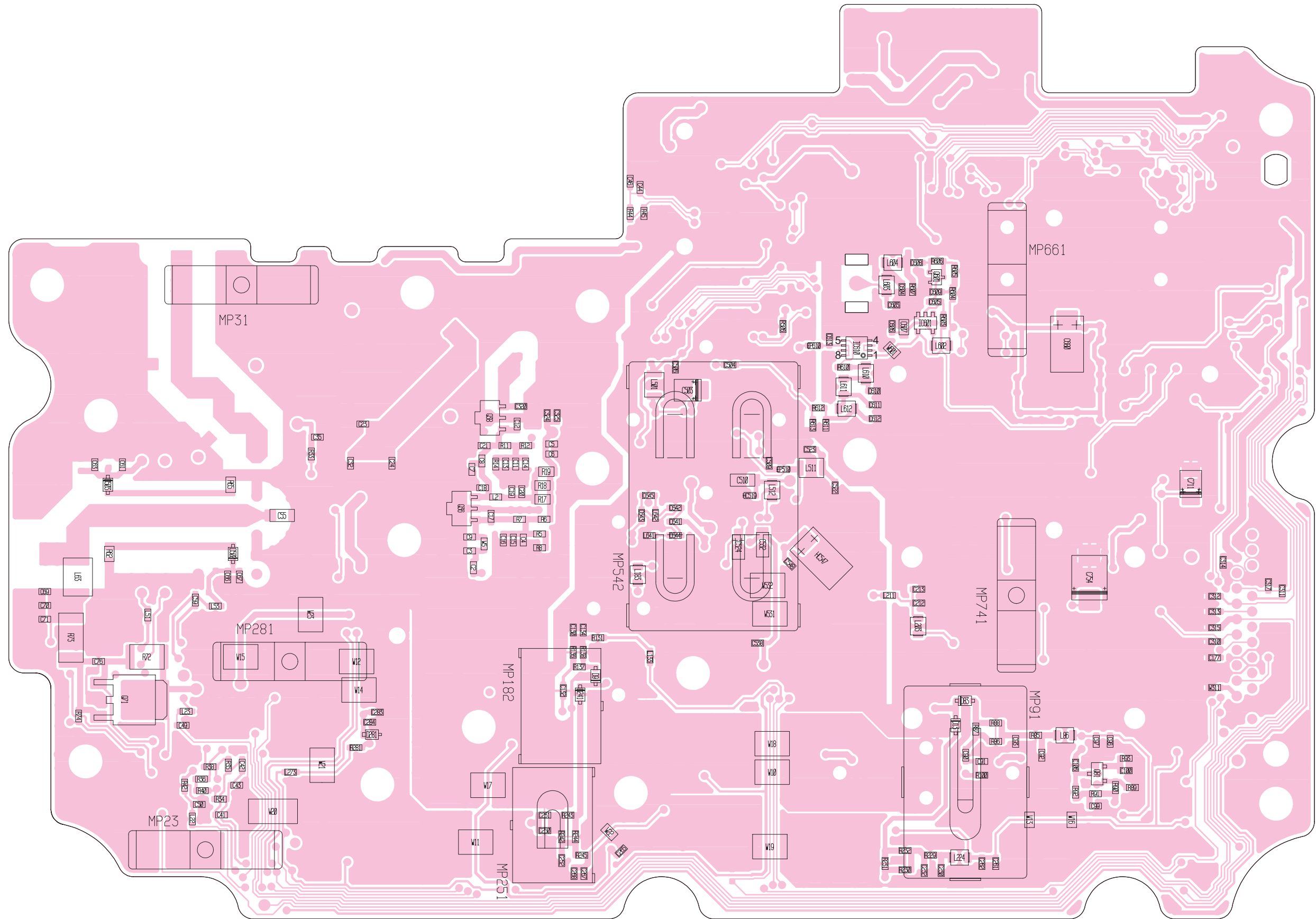


J311

25	IFM	GND	24
	NC	14V	
	14V	NC	
	GND	DRES	
	TXS	RXS	
	12TP	1FOR	
	12PV	OPB1	
	-5V	PCK	
	PDAT	12ST	
	12PS	12DS	
	12UL	12REF	
1	GND	GND	2
	IFS		

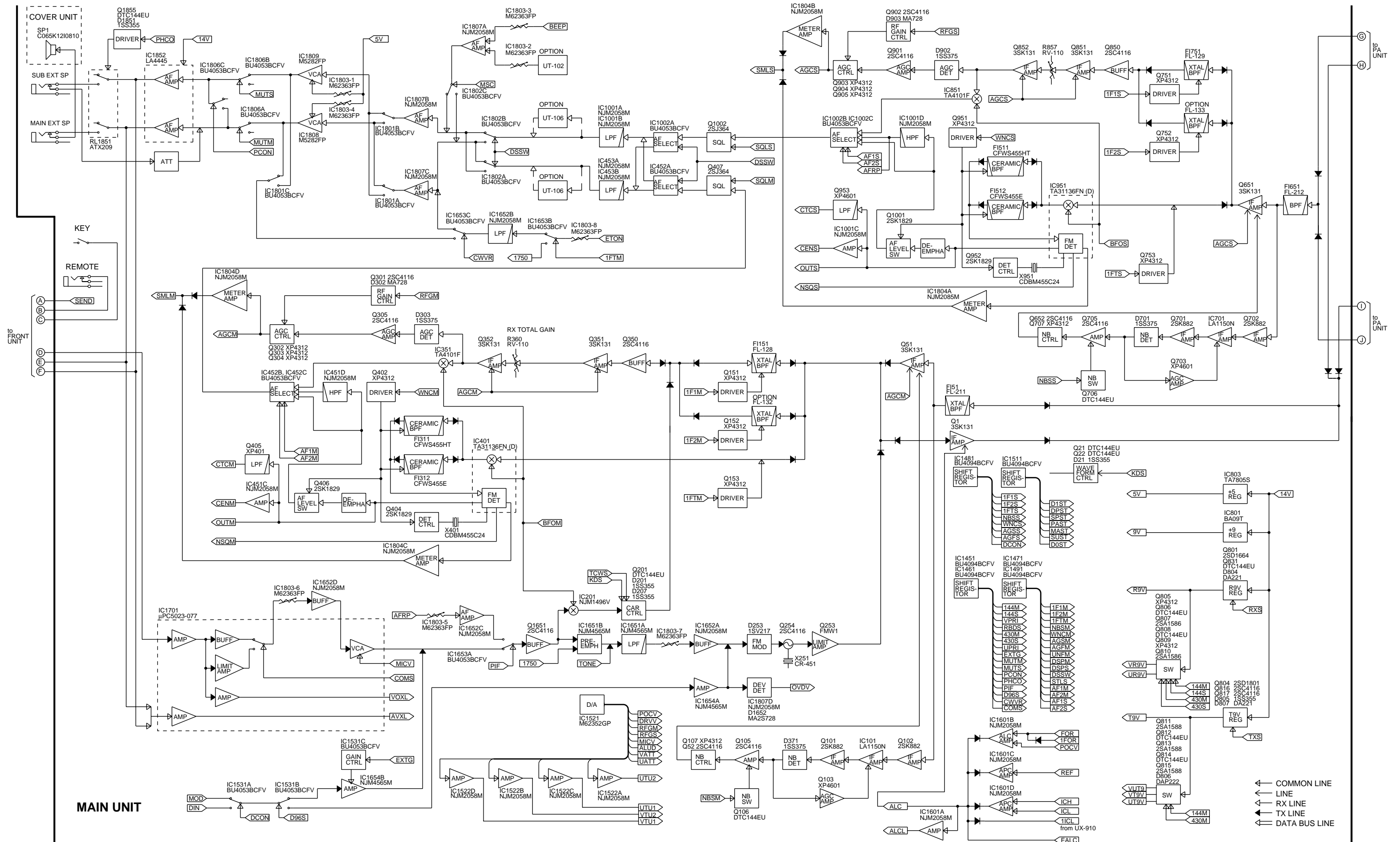
to IC-910 MAIN unit J2

• BOTTOM VIEW (UX-910 MAIN UNIT)

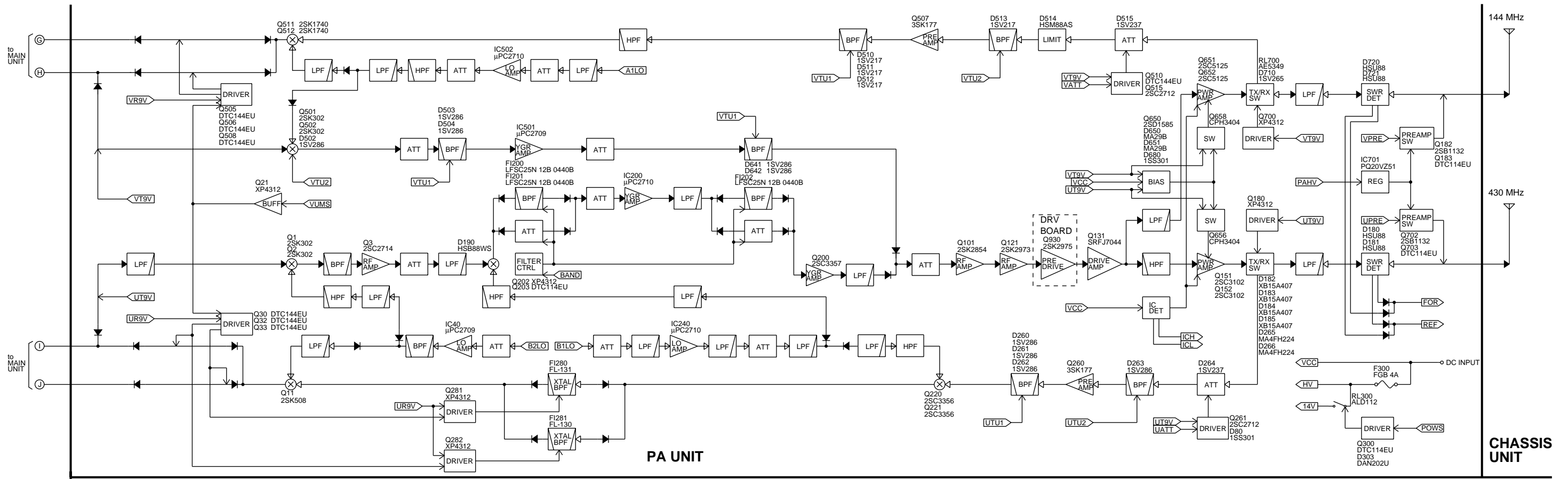


SECTION 10 BLOCK DIAGRAMS

10-1 MAIN UNIT



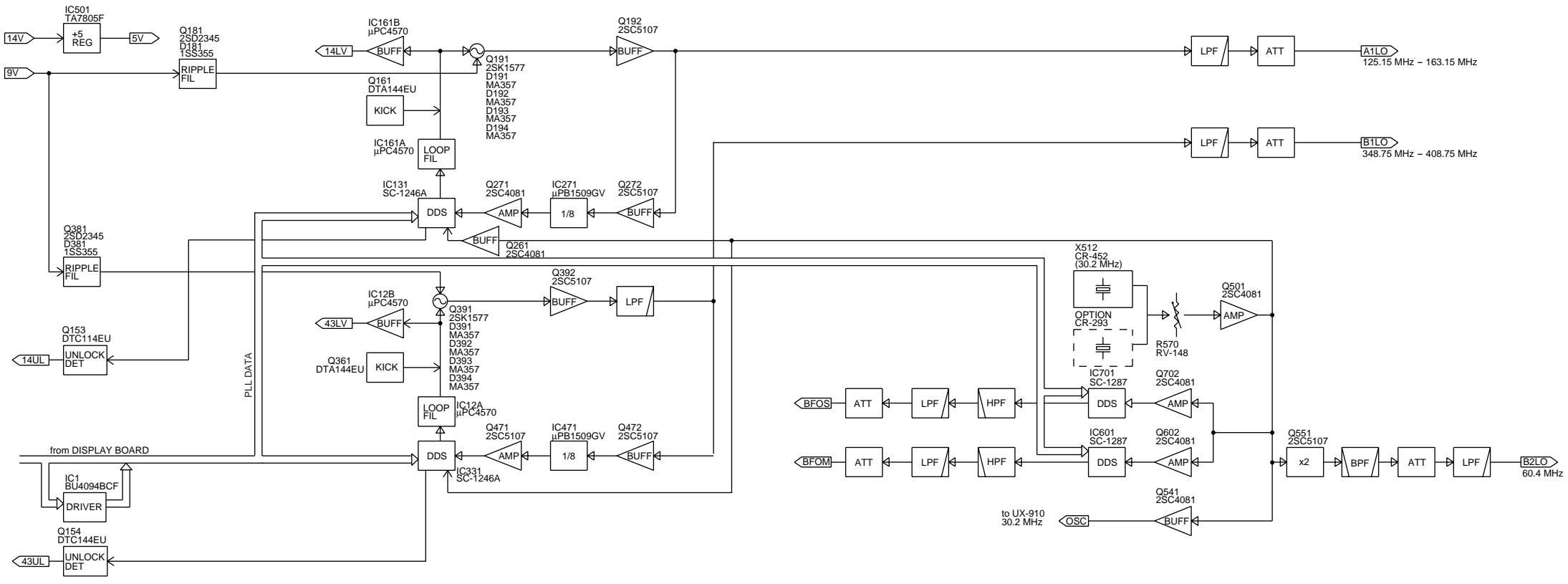
10-2 PA AND PLL UNITS



PA UNIT

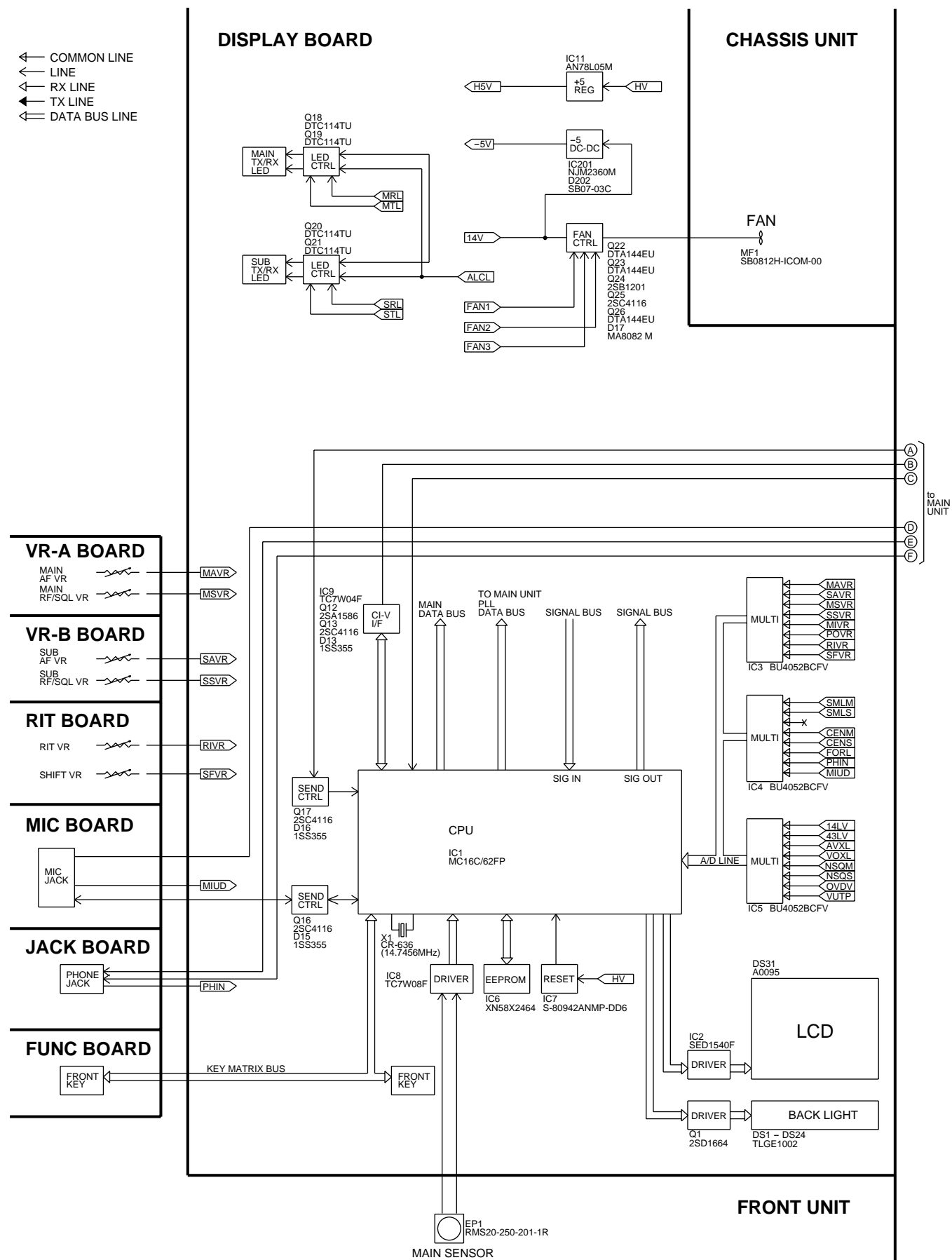
PLL UNIT

CHASSIS UNIT

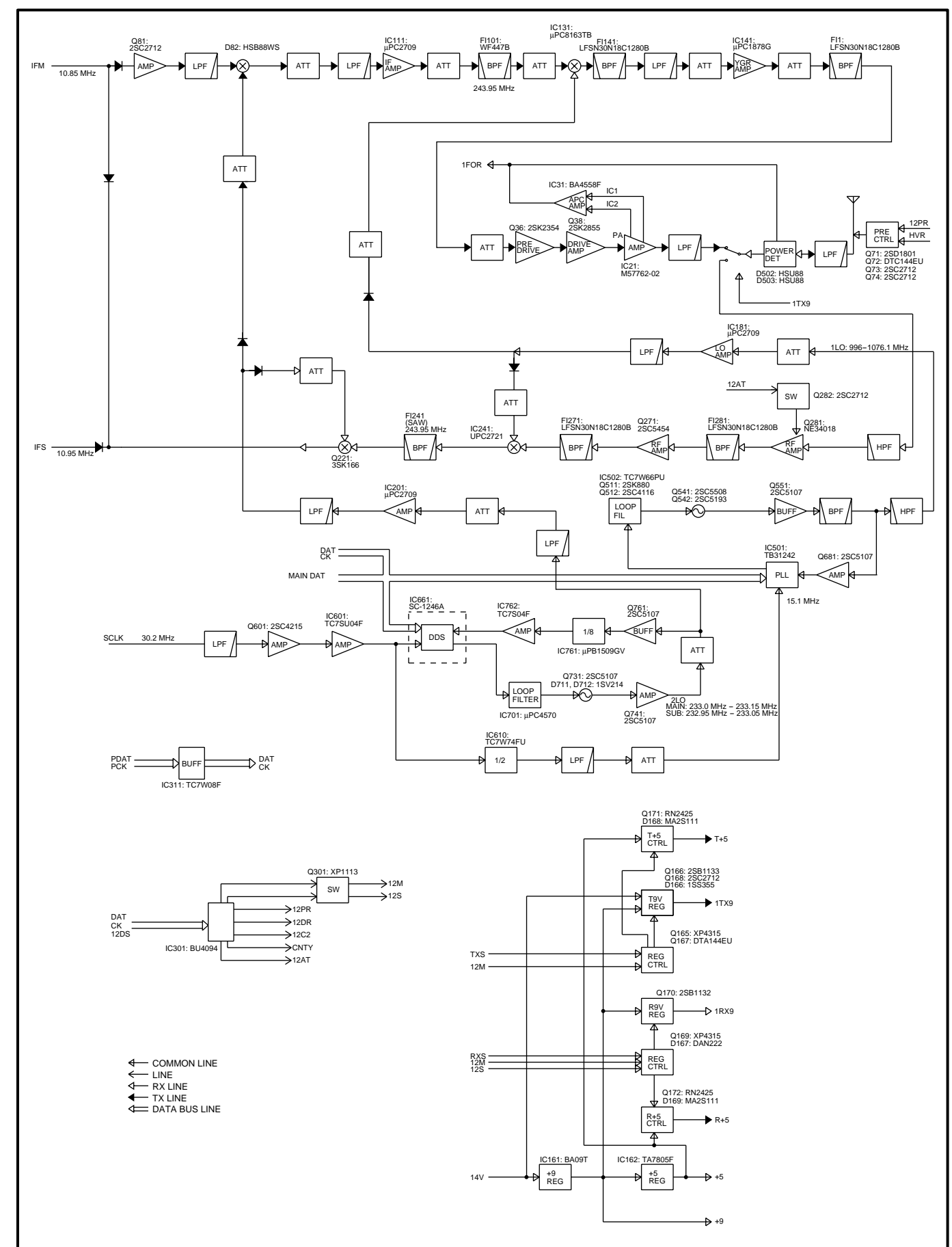


- ← COMMON LINE
- ← LINE
- ← RX LINE
- ← TX LINE
- ← DATA BUS LINE

10-3 FRONT UNIT

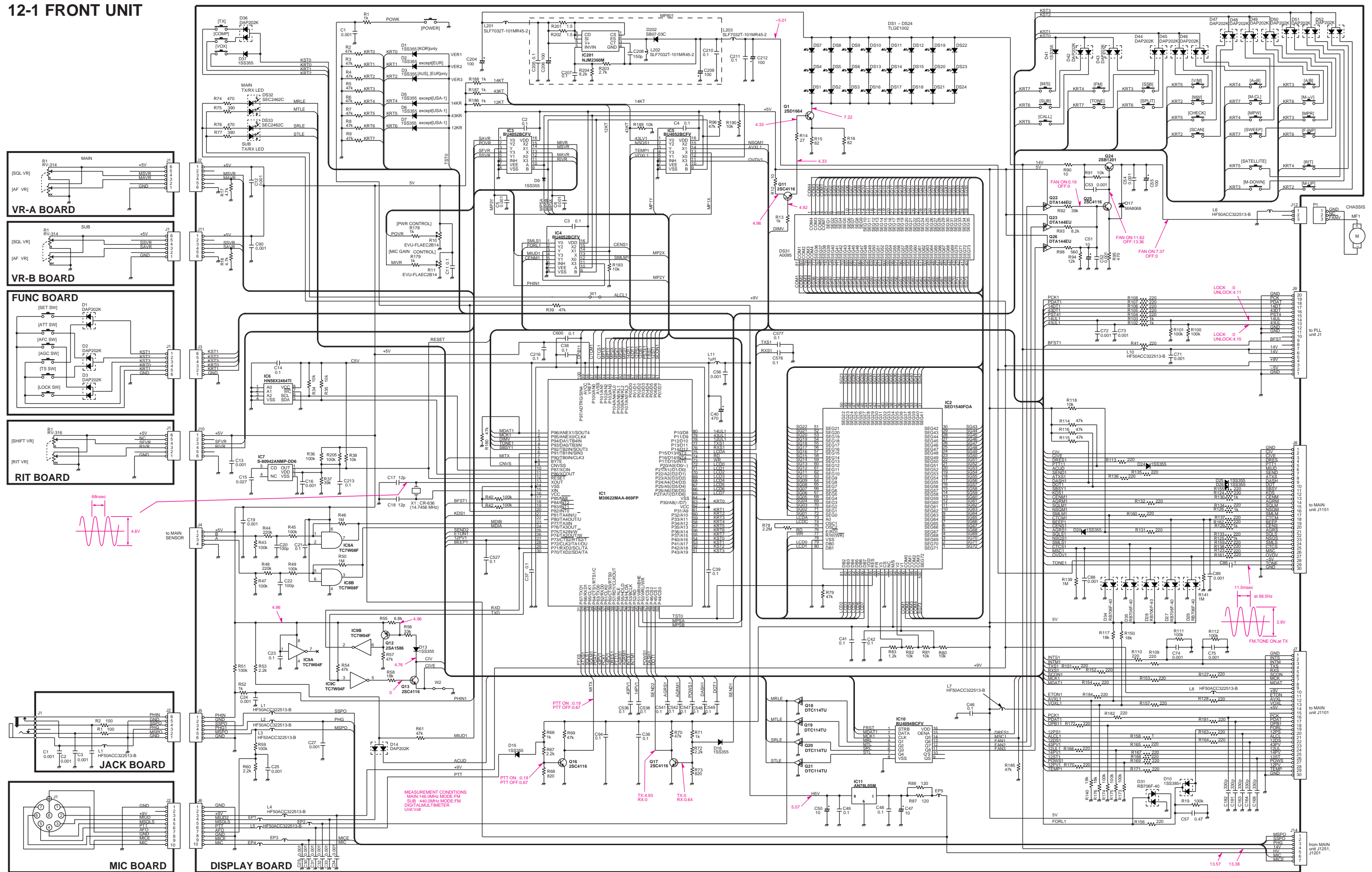


10-4 UX-910

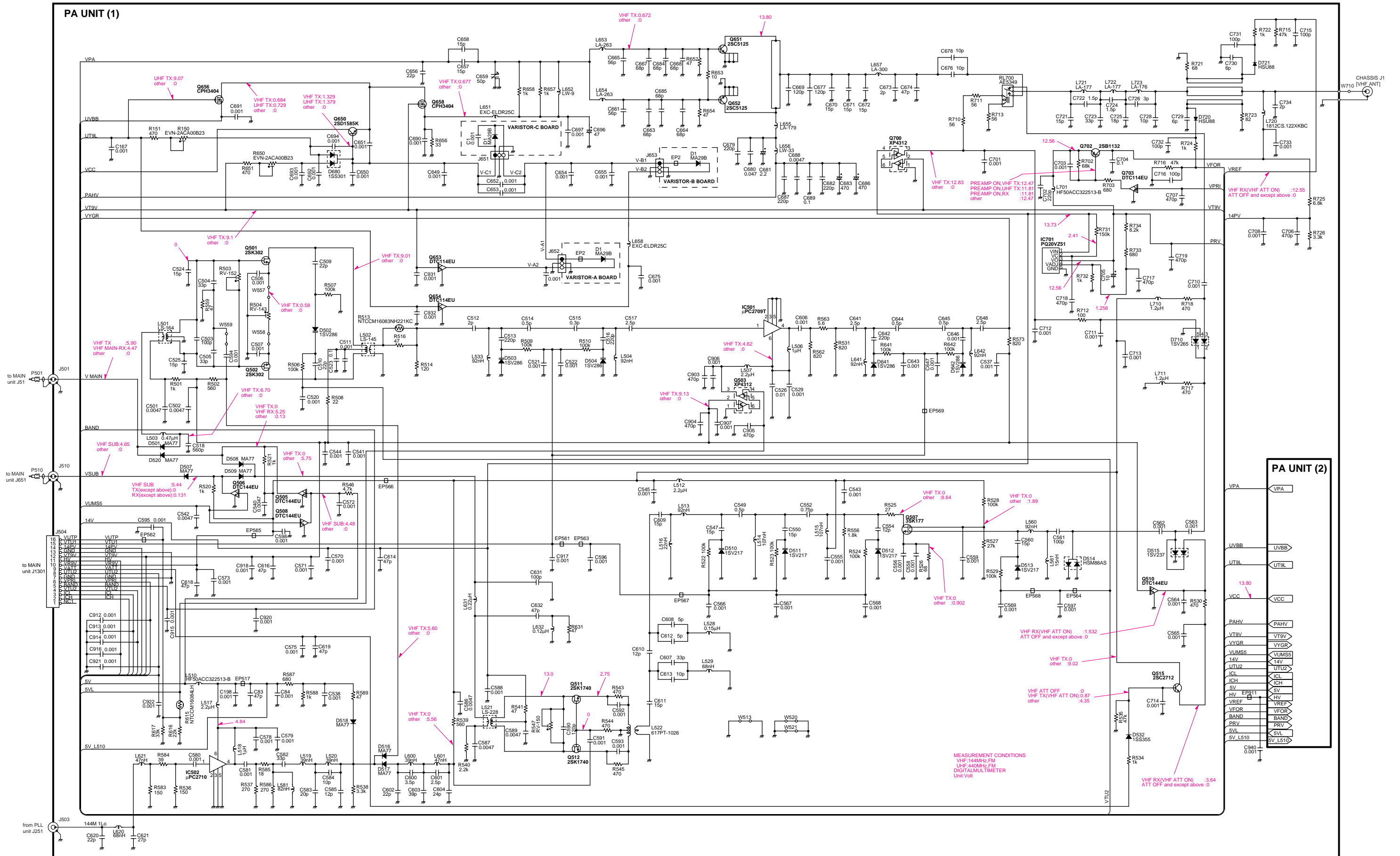


SECTION 12 VOLTAGE DIAGRAMS

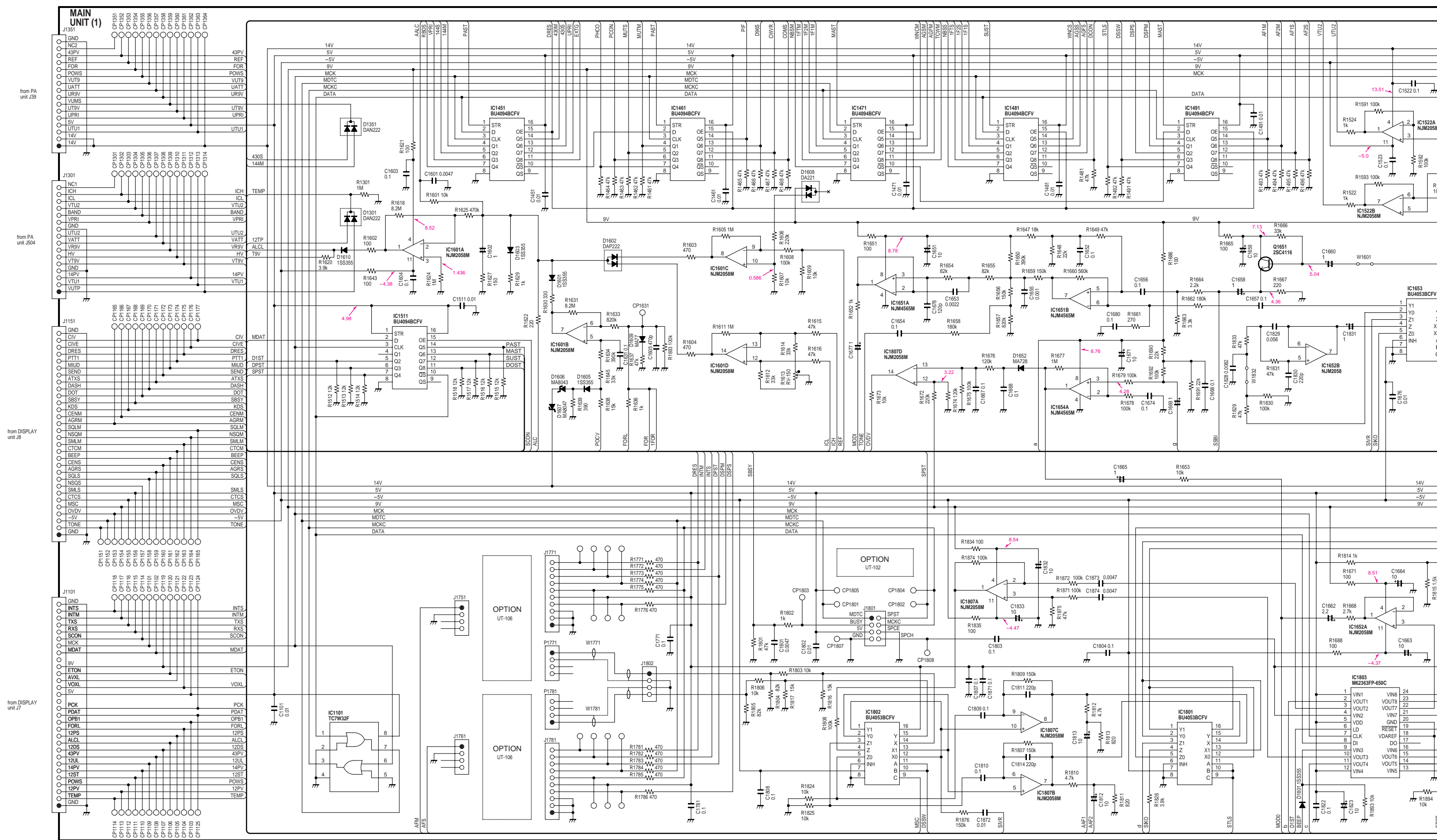
12-1 FRONT UNIT

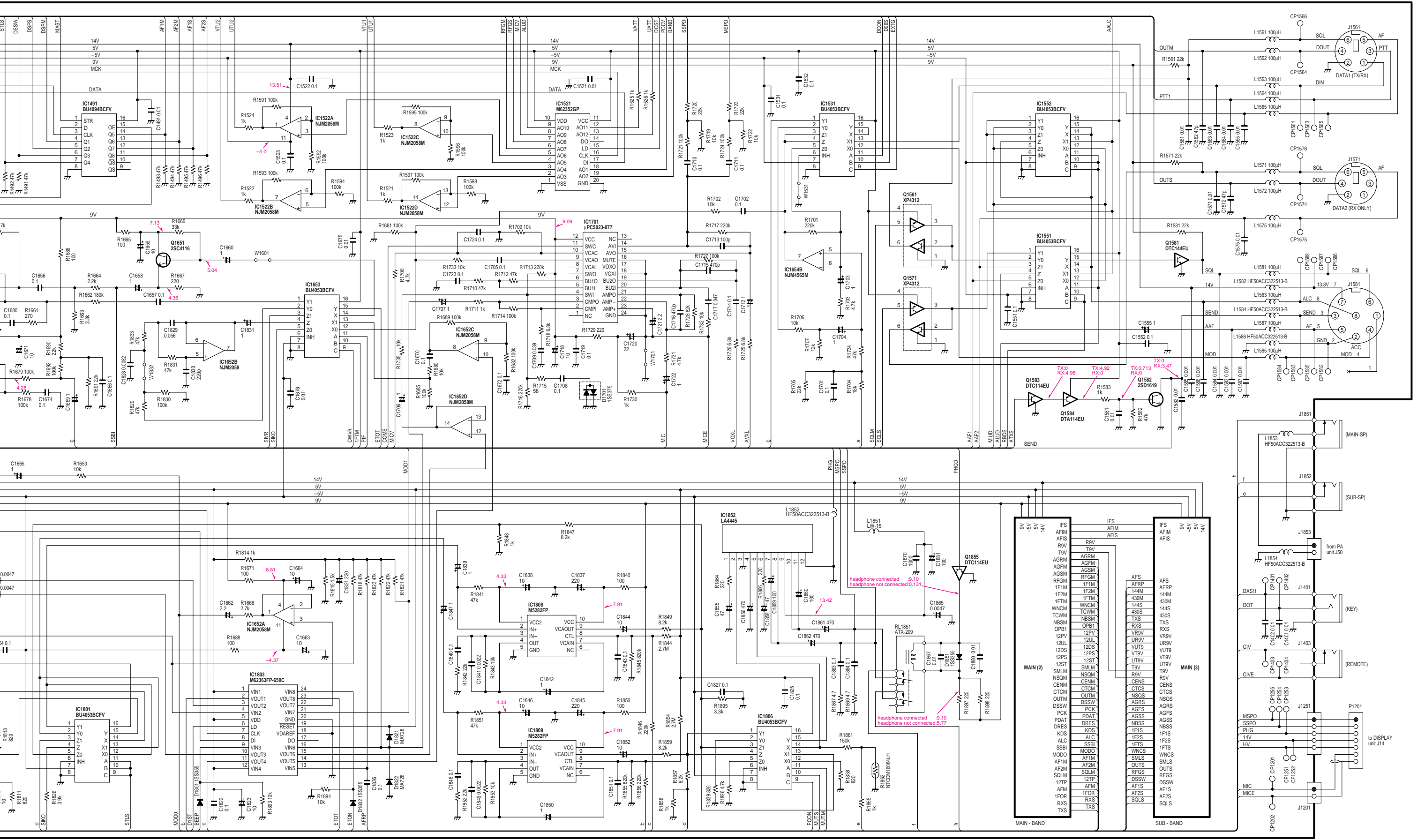


12-3 PA UNIT (1)

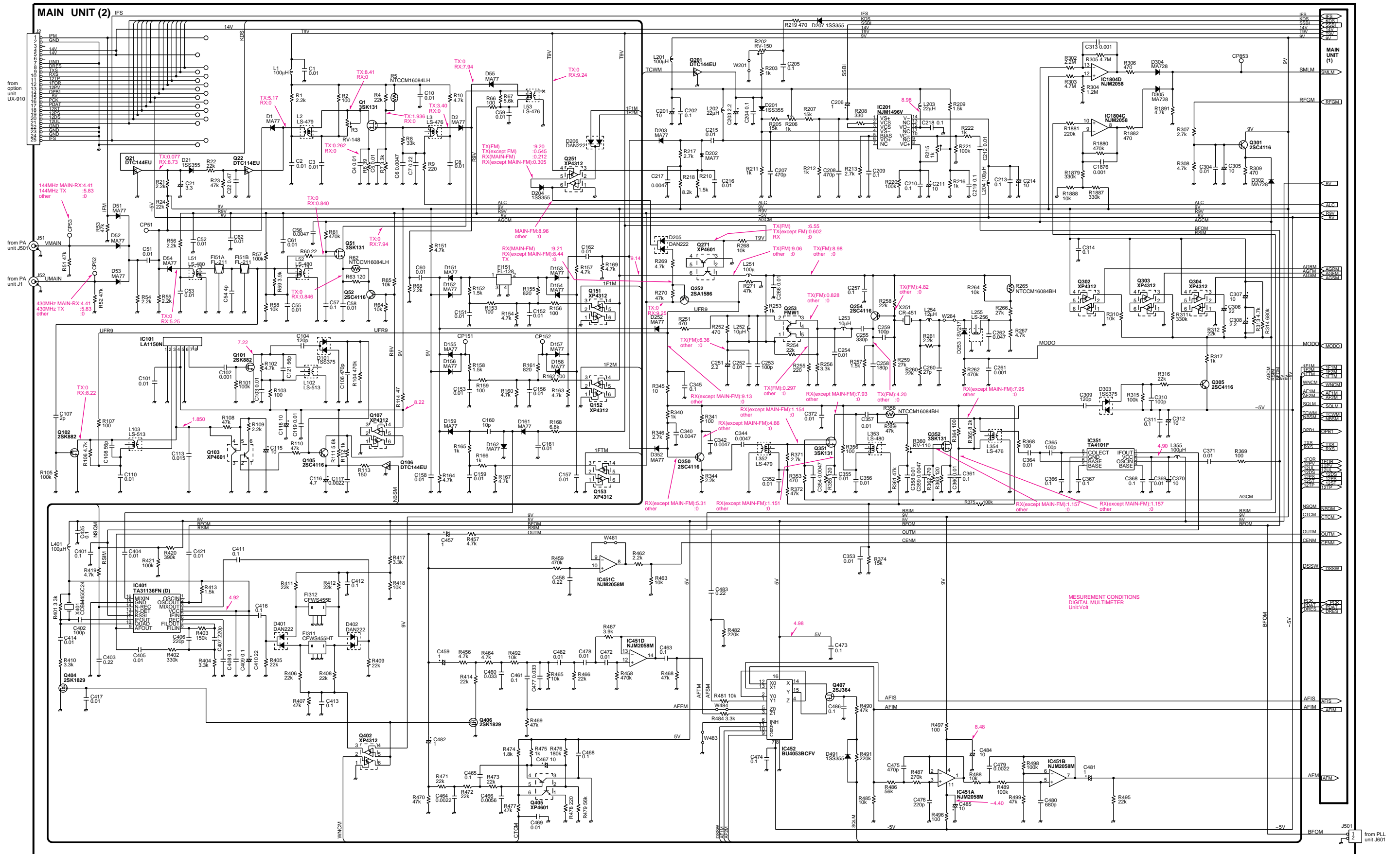


12-5 MAIN UNIT (1)

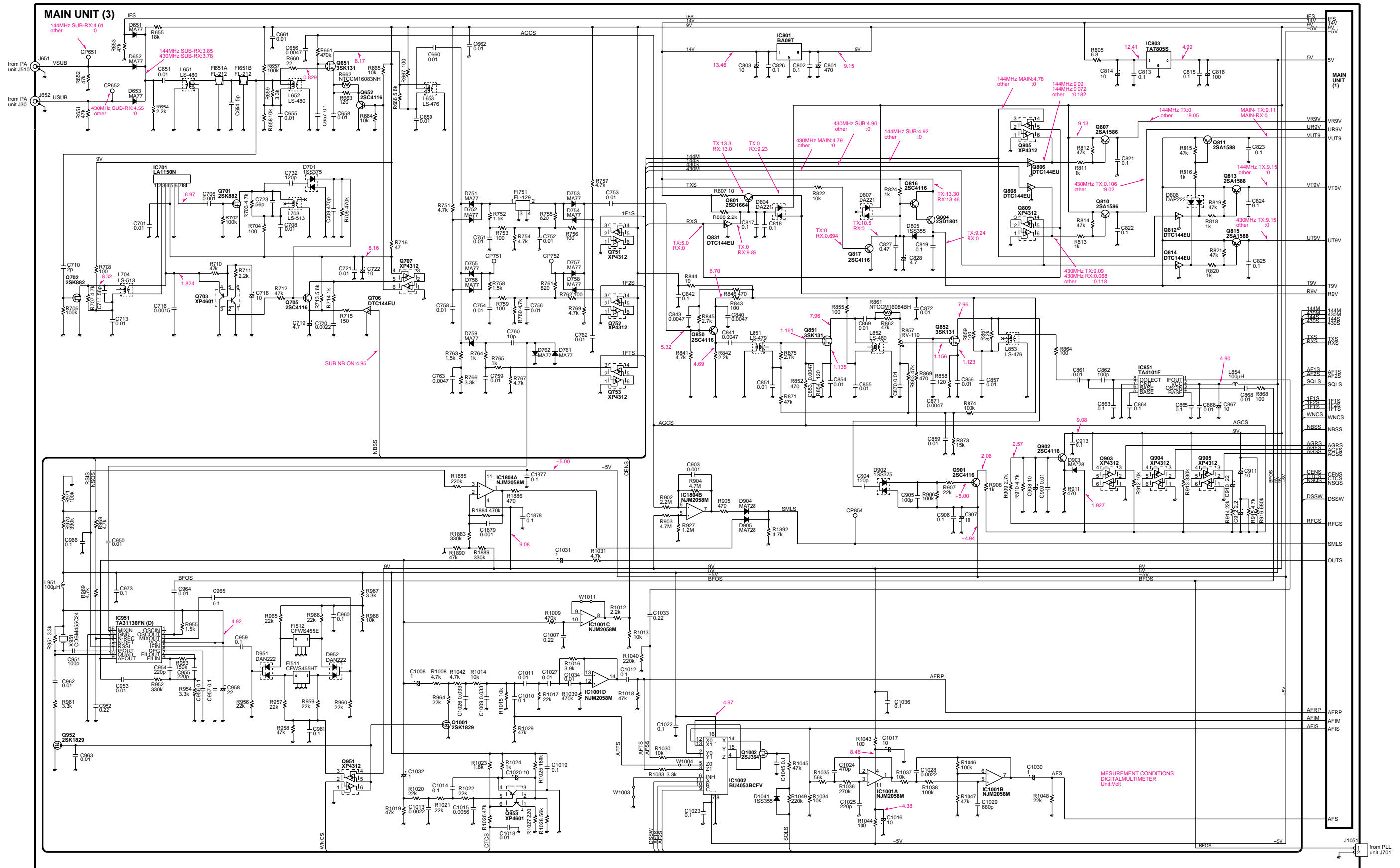




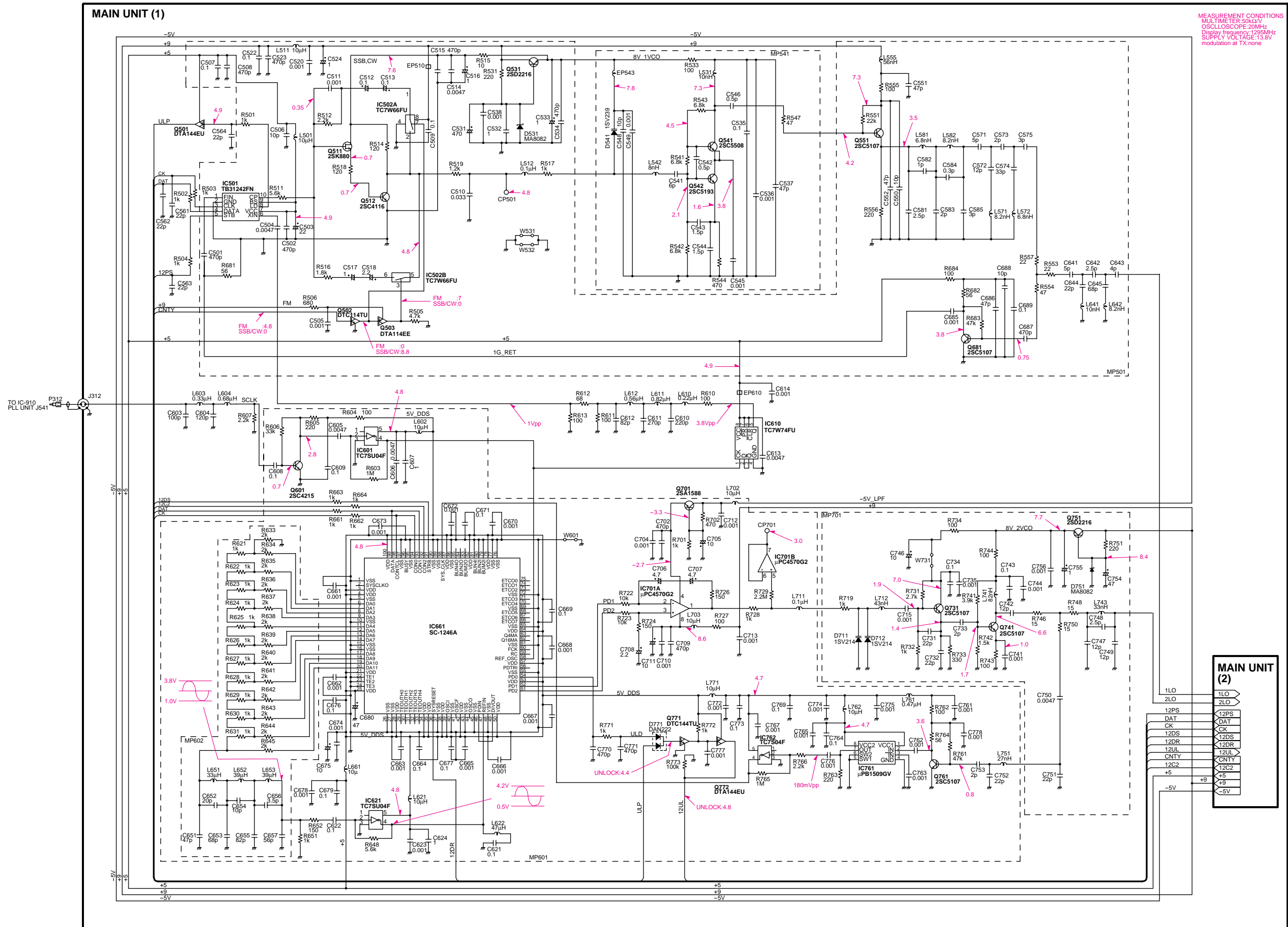
12-6 MAIN UNIT (2)



12-7 MAIN UNIT (3)



12-8 UX-910 MAIN UNIT (1)



12-9 UX-910 MAIN UNIT (2)

